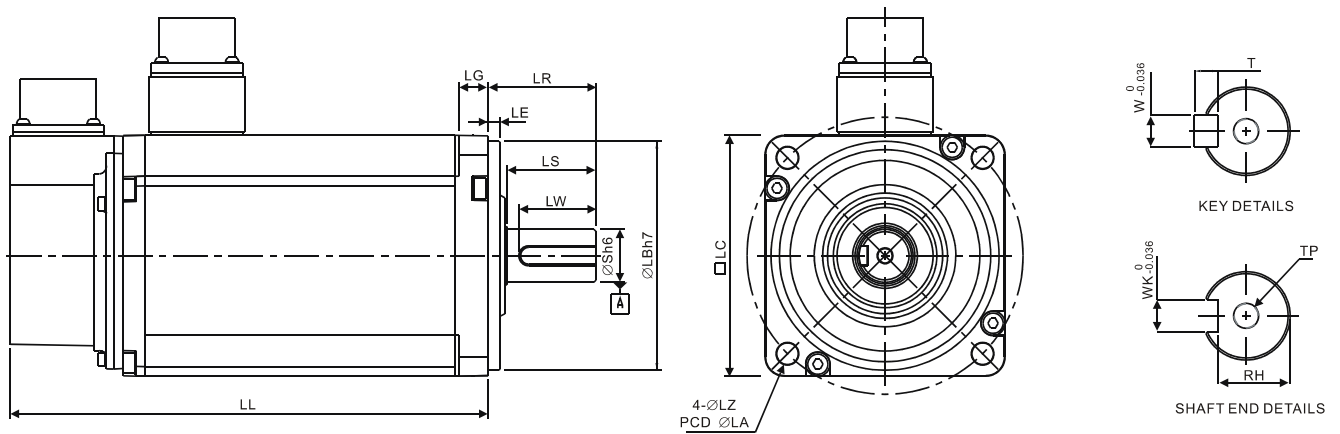


Motor Frame Size: 130mm Models - 400V series

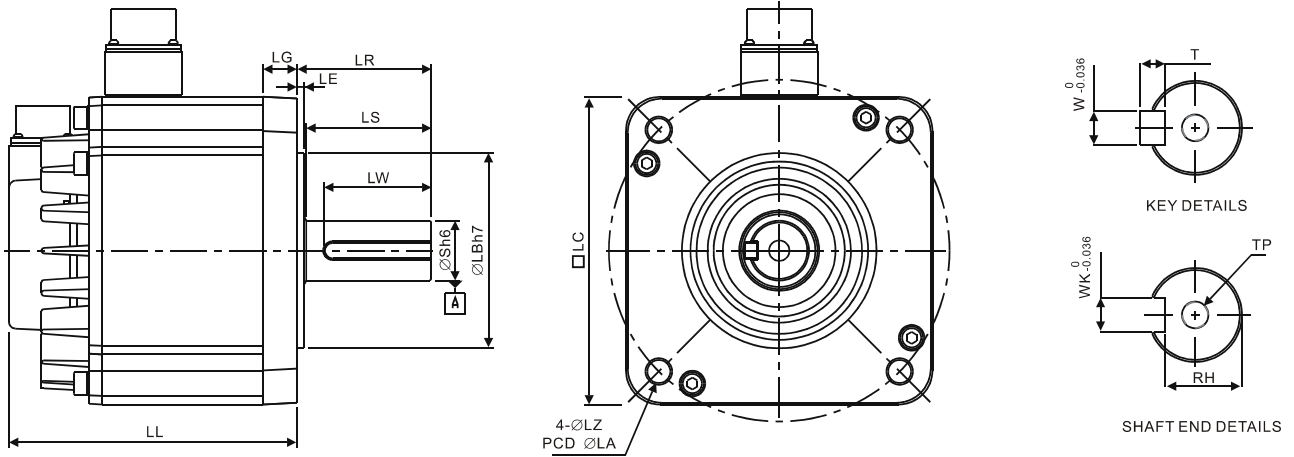


| Model              | K11310□S                   | K11315□S                   | K11320□S                   |
|--------------------|----------------------------|----------------------------|----------------------------|
| LC                 | 130                        | 130                        | 130                        |
| LZ                 | 9                          | 9                          | 9                          |
| LA                 | 145                        | 145                        | 145                        |
| S                  | 22 <sup>(+0/-0.013)</sup>  | 22 <sup>(+0/-0.013)</sup>  | 22 <sup>(+0/-0.013)</sup>  |
| LB                 | 110 <sup>(+0/-0.035)</sup> | 110 <sup>(+0/-0.035)</sup> | 110 <sup>(+0/-0.035)</sup> |
| LL (Without Brake) | 147.5                      | 167.5                      | 187.5                      |
| LL (With Brake)    | 183.5                      | 202                        | 216                        |
| LS                 | 47                         | 47                         | 47                         |
| LR                 | 55                         | 55                         | 55                         |
| LE                 | 6                          | 6                          | 6                          |
| LG                 | 11.5                       | 11.5                       | 11.5                       |
| LW                 | 36                         | 36                         | 36                         |
| RH                 | 18                         | 18                         | 18                         |
| WK                 | 8                          | 8                          | 8                          |
| W                  | 8                          | 8                          | 8                          |
| T                  | 7                          | 7                          | 7                          |
| TP                 | M6, Depth 20               | M6, Depth 20               | M6, Depth 20               |

 **NOTE**

- 1) Dimensions are in millimeters.
- 2) Dimensions of the servo motor may be revised without prior notice.
- 3) The boxes (□) in the model names are for optional configurations. (Please refer to section 1.2 for model explanation.)
- 4) Actual measured values are in metric units.

## Motor Frame Size: 180mm and above Models - 400V series



| Model              | L11830□S                | L11845□S                | L11855□3                | L11875□3                |
|--------------------|-------------------------|-------------------------|-------------------------|-------------------------|
| LC                 | 180                     | 180                     | 180                     | 180                     |
| LZ                 | 13.5                    | 13.5                    | 13.5                    | 13.5                    |
| LA                 | 200                     | 200                     | 200                     | 200                     |
| S                  | $35^{(+0}_{-0.016)}$    | $35^{(+0}_{-0.016)}$    | $42^{(+0}_{-0.016)}$    | $42^{(+0}_{-0.016)}$    |
| LB                 | $114.3^{(+0}_{-0.035)}$ | $114.3^{(+0}_{-0.035)}$ | $114.3^{(+0}_{-0.035)}$ | $114.3^{(+0}_{-0.035)}$ |
| LL (Without Brake) | 202.1                   | 235.3                   | 279.7                   | 342.0                   |
| LL (With Brake)    | 235.3                   | 279.3                   | 311.7                   | 376.1                   |
| LS                 | 73                      | 73                      | 108.5                   | 108.5                   |
| LR                 | 79                      | 79                      | 113                     | 113                     |
| LE                 | 4                       | 4                       | 4                       | 4                       |
| LG                 | 20                      | 20                      | 20                      | 20                      |
| LW                 | 63                      | 63                      | 90                      | 90                      |
| RH                 | 30                      | 30                      | 37                      | 37                      |
| WK                 | 10                      | 10                      | 12                      | 12                      |
| W                  | 10                      | 10                      | 12                      | 12                      |
| T                  | 8                       | 8                       | 8                       | 8                       |
| TP                 | M12, Depth 25           | M12, Depth 25           | M16, Depth 32           | M16, Depth 32           |

**NOTE**

- 1) Dimensions are in millimeters.
- 2) Dimensions of the servo motor may be revised without prior notice.
- 3) The boxes (□) in the model names are for optional configurations. (Please refer to section 1.2 for model explanation.)
- 4) Actual measured values are in metric units.